

SPECIFICATIONS:

10 WATT COAXIAL TERMINATION

POWER RATING: 10 WATTS CW @ 40°C.
12 WATTS CW @ 25°C.

FREQUENCY RANGE & VSWR: DC TO 1GHz AT 1.10:1 MAX.
1GHz TO 4GHz AT 1.25:1 MAX.

CONNECTOR TYPE: IEC 7/16 MALE

IMPEDANCE: 50 OHMS, NOMINAL

AMBIENT TEMPERATURE RANGE: -40°C TO +40°C

OPERATING POSITION: ANY

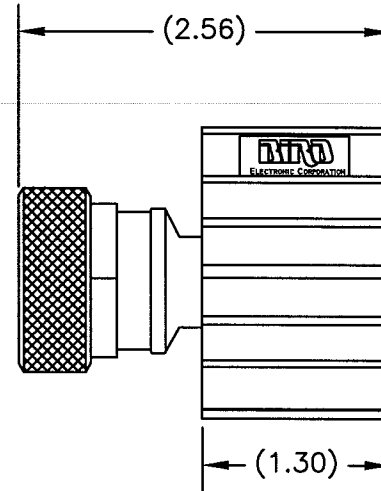
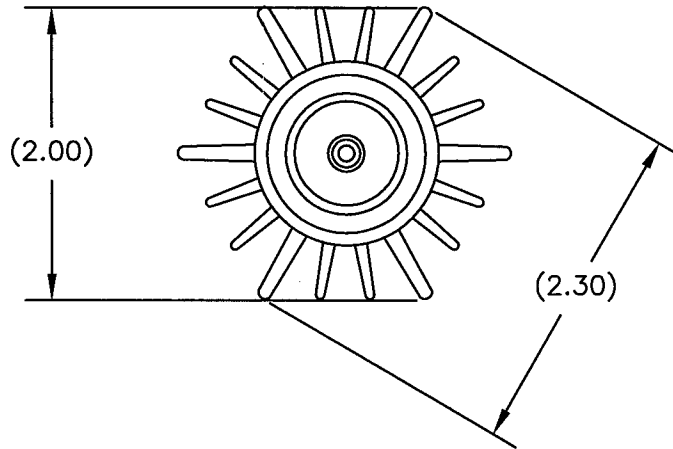
COOLANT: DRY (CONVECTION COOLED)

FINISH: BLACK ANODIZED COOLING FIN, SILVER OR TRI-ALLOY PLATED CONNECTOR

NOMINAL SIZE: APPROX. 2.56" L X 2.30" DIA.

WEIGHT: APPROX. 3 OZ.

REVISIONS		DWG. NO.	10-T-ME	SHEET	REV
ZONE	REV	DESCRIPTION	DATE	APPROVED	
	A	CONVERT TO BEC FORMAT	DMR	6-5-03	<i>MEU</i>



DIMENSIONS HEREON ARE FOR CUSTOMER CONVENIENCE AND REFERENCE ONLY. TOLERANCE TO BE APPLIED ONLY WHERE INDIVIDUALLY STATED ON THE RESPECTIVE DIMENSION. -DO NOT SCALE DRAWING-

UNLESS OTHERWISE SPECIFIED DIMENSIONS ARE IN INCHES TOLERANCES ARE:
FRACTIONS DECIMALS ANGLES
± 1/64 .XX = ±.010 ± 30'
.XXX = ±.005

MILLIMETERS
.X = ±.4
.XX = ±.12

DO NOT SCALE DRAWING

THIS DRAWING IS THE PROPERTY OF THE BIRD ELECTRONIC CORPORATION. THE DESIGNS AND SPECIFICATIONS DISCLOSED HEREON ARE PROPRIETARY AND SHALL NOT BE REPRODUCED, NOR COPIED, NOR USED AS THE BASIS FOR THE MANUFACTURE OR SALE OF APPARATUS OR DEVICES WITHOUT THEIR EXPRESS WRITTEN CONSENT.



BIRD Electronic Corporation
Cleveland (Solon) Ohio USA

MATERIAL	APPROVALS		DATE	TITLE			
		DRAWN	D.M.RINK	6-5-03	FINAL ASS'Y, TERMINATION IEC 7/16 MALE, 10W		
FINISH	CHECKED			SIZE	FSCM NO.	DWG. NO.	REV
	APPROVED	<i>MACLY</i>	6-5-03	A	70998	10-T-ME	A
			AUTOCAD	SCALE	1:1	COMM CODE	LD1
				SHEET	1 OF 1		